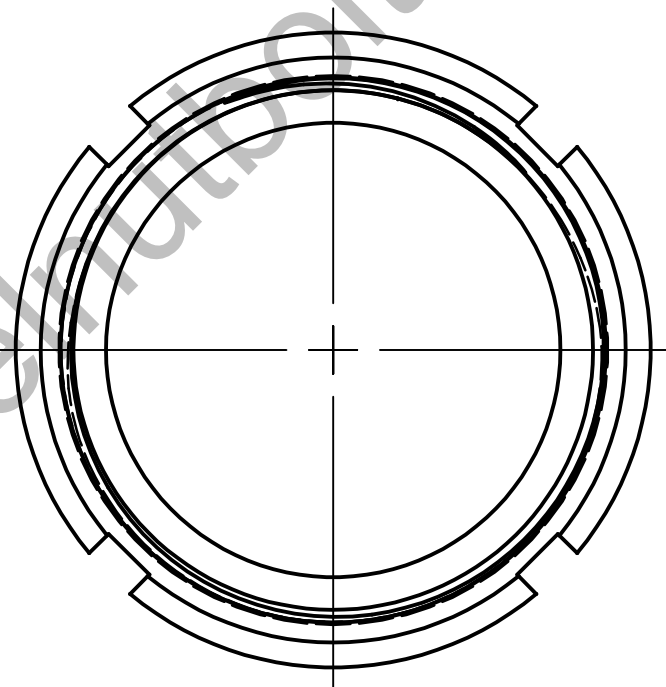
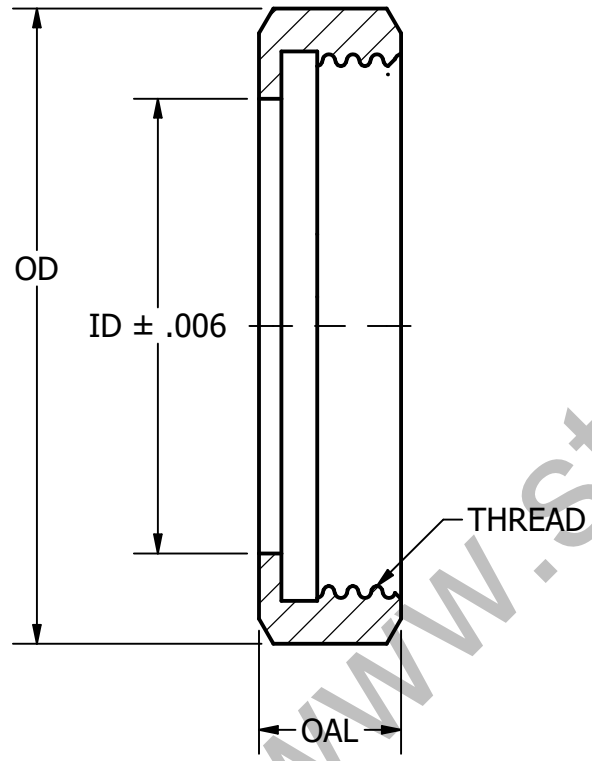


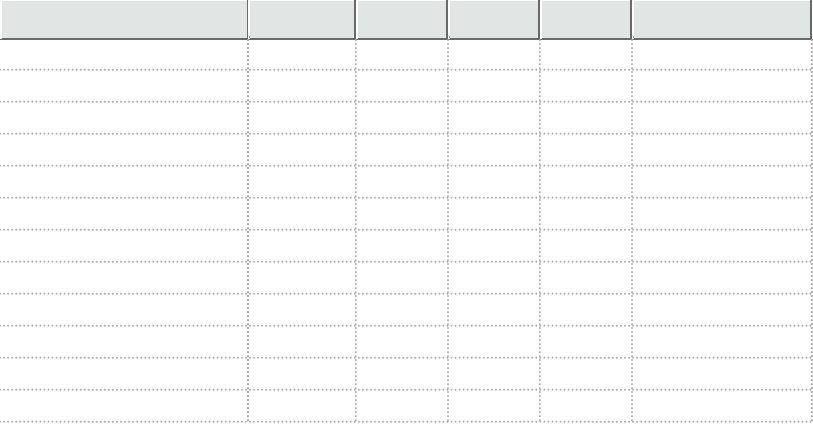


SIZE	OD	ID	OAL	THREAD
DN10	1.496	.754	.709	RD28 x 1/8
DN15	1.732	.990	.709	RD34 x 1/8
DN20	2.126	1.226	.790	RD44 x 1/6
DN25	2.480	1.423	.827	RD52 x 1/6
DN32	2.756	1.659	.827	RD58 x 1/6
DN40	3.071	1.935	.827	RD65 x 1/6
DN50	3.622	2.447	.866	RD78 x 1/6
DN65	4.409	3.156	.985	RD95 x 1/6
DN80	5.000	3.707	1.181	RD110 x 1/4
DN100	5.827	4.533	1.220	RD130 x 1/4
DN125	7.008	5.439	1.378	RD160 x 1/4
DN150	8.268	6.463	1.575	RD190 x 1/4



TOLERANCES
According ISO2768 STANDARD

JIAXING CITY QUNBANG HARDWARE CO.,LTD	
TITLE DIN 11851/11864 ROUND NUT	
DWG NO: QBH	REV
SCALE: 1 : 1	



[www.steelnutbolts.com](http://www.steelnutbolts.com)